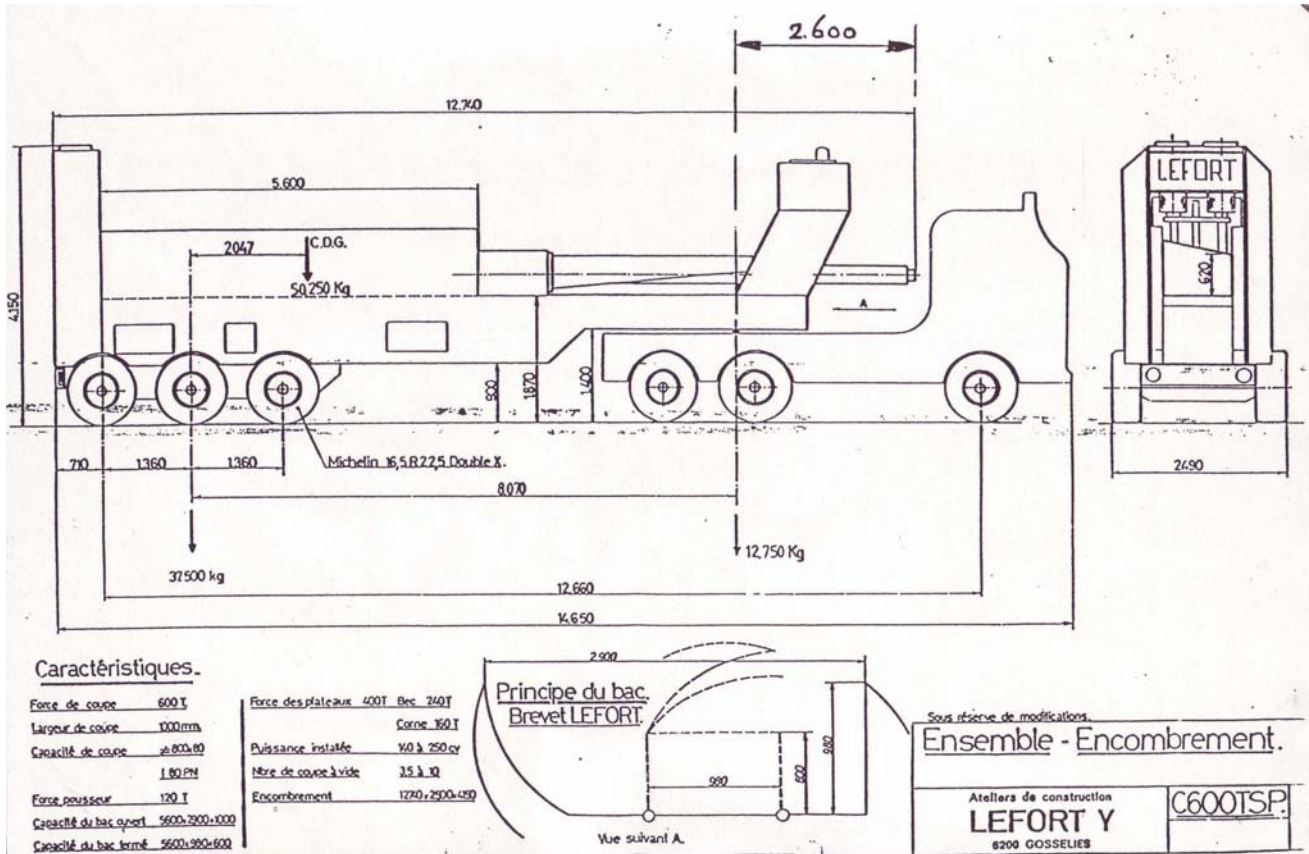


## MOBILE SCRAP SHEAR LEFORT 600 tons



## Technical / Commercial Information



- ⇒ Type: LEFORT 600 t, Type C 600 TSPM mobile on a 3-axle low platform trailer
- ⇒ Constr. year: 1988
- ⇒ Inlet Box: 2.9 x 5.6 m
- ⇒ Shear force: 600 tons
- ⇒ Feed: 120 tons
- ⇒ Drive: Diesel engine Caterpillar 230 HP
- ⇒ Status / Condition: Machine is in condition from site Germany. This shear was delivered 2001 in revised state and since that time it was used sporadically for the processing of mixed scrap. Machine is ready for operation, little works before recommissioning are recommended
- ⇒ Availability: immediately
- ⇒ Price: good price from site Germany
- ⇒ Accessories: Radio control as option!
- ⇒ Comment: Machine can be inspected every time near Zwickau (Germany)