



# CAYMAN RB

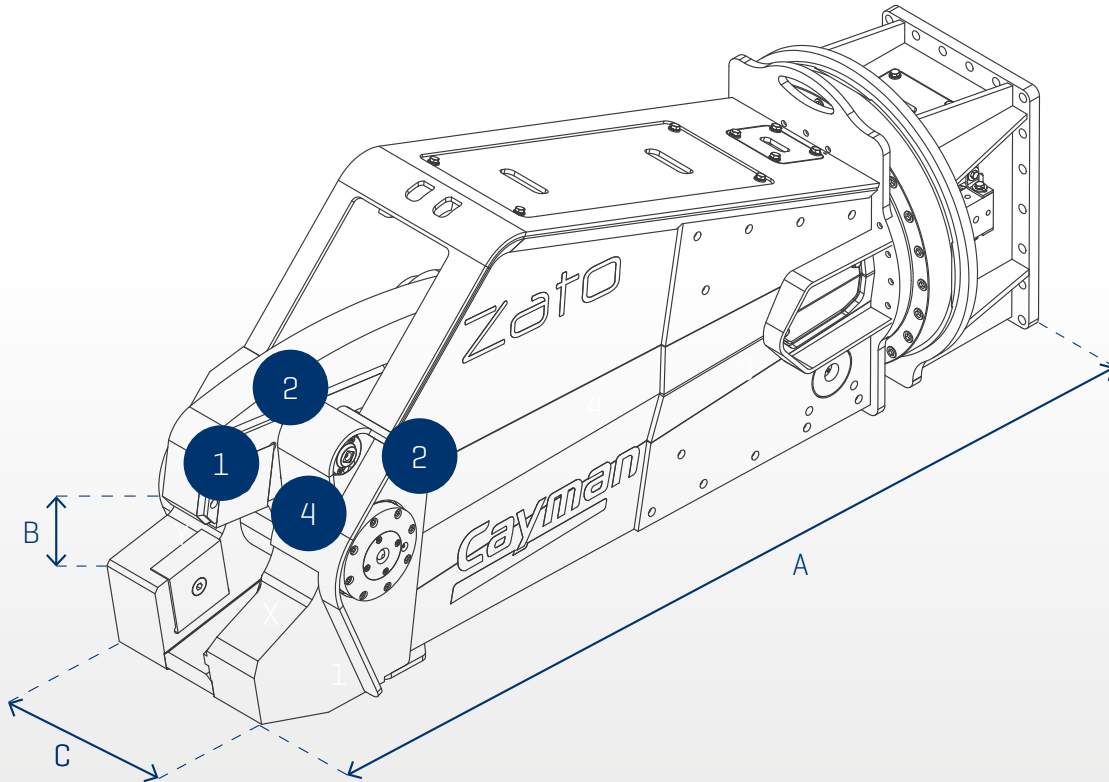
## RAIL BREAKER

---

THE RAILBREAKER CAYMAN RB SERIES IS DESIGNED SPECIFICALLY TO CUT RAILS. THE GREAT STRENGTH OF THE BODY, WITH ITS COMPACT AND MASSIVE MOBILE JAW, ENABLES THE HARD WORK IN WHICH IT IS EMPLOYED.



# CAYMAN RB RAIL BREAKER



TECHNICAL DATA		RB20R	RB30R	RB40R
Weight [excluding mounting bracket]	Kg	2000	2700	3800
A - Reach [excluding mounting bracket]	mm	2300	2750	2850
B - Jaw opening	mm	190	190	215
C - Width	mm	210	210	210
Throat force at 380 bar	t	460	620	950
Tip force at 380 bar	t	288	320	480
Excavator weight 2nd member/boom mounting	t	10-15	18-25	25-35
Excavator weight 3rd member/stick mounting	t	18-27	28-39	39-50

## KEY FEATURES

**1** - Interchangeable jaw and frame blade, 4 times reversible.

**2** - Double adjustable clutch to maintain the alignment of the mobile jaw during working process.

**3** - High resistance: Build with Hardox and Weldox steels to deliver structural strength and wear durability.

**4** - Body high strength, strong and compact mobile jaw.

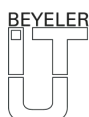
Technical specification can be modified without any prior notice and without incurring in any obligation.

All shears Cayman RB series have a 12-month warranty, excluding wear parts.

All models can be supplied without hydraulic rotation.

The data don't include the connection plate.

All data regarding excavator weight are approximate. Always refer to the loading diagrams of the excavators.



Postfach 55, CH-3700 Spiez  
 Telefon (0041)33 437 47 44  
 Fax (0041)33 437 70 73  
 iut@iutbeyeler.com  
 www.iutbeyeler.com  
 Mitglied ■ BDSV

**IUT Beyeler AG**

Ing. Unternehmen für Umwelt und Technik